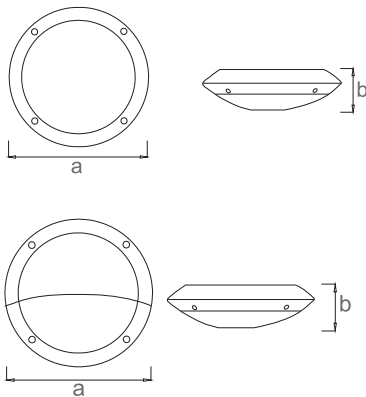


# Outdoor Globes



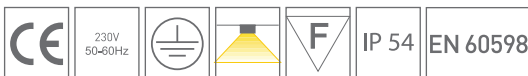
## Technical Drawing



## Fields of Application



## Standards of Application



## Mechanical Specifications

Aluminium injection frame with electrostatic powder coating. Polyurethane gasket suitable for temperature changes and environmental conditions.

## Optical Specifications

Sandblasted decorative glass enabling homogeneous luminous distribution

## Electrical Specifications

EN60238 standard compliant lamp holder. Hardware compartment designed to function flawlessly under ambient temperature

## Options

Different RAL-code electrostatic powder coating

## Product Details

Order Code	Power (W)	Lamp Type	Dimensions (mm) a b c	Base	Pcs/Pack
CST 120501	22w	FL-Circle	265x140	G10q	12
CST 120502	22w	FL-Circle	265x140	G10q	12
CST 120503	32w	FL-Circle	365x160	G10q	12
CST 120504	32w	FL-Circle	365x160	G10q	12