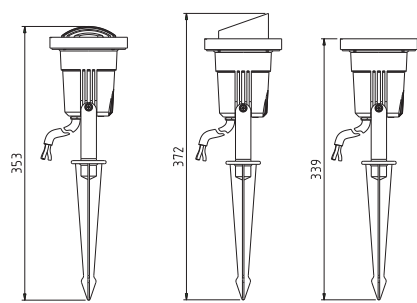


Recessed Floor & Spot Luminaires



Technical Drawing

Mechanical Specifications

Aluminium injection frame with electrostatic powder coating. Stainless steel frame and fittings. Corrosion resistant, polymer injection, wall-recessed junction box. Silicone gasket suitable for temperature changes and environmental conditions.

Optical Specifications

High efficacy LED. Heat and impact resistant decorative sand-blasted glass.

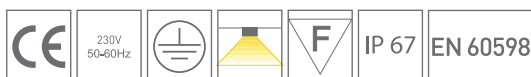
Electrical Specifications

LED driver immune to fluctuations in grid voltage and providing constant light output. Hardware compartment designed to function flawlessly under ambient temperature.

Fields of Application



Standards of Application



LED Product Details

Order Code	Power (W)	Lamp Type	Dimensions (mm) a b c	Pcs/Pack
CST 120101	Max 23/75/5	PL-E/Halogen/LED	-	18
CST 120102	Max 23/75/5	PL-E/Halogen/LED	-	18
CST 120103	Max 23/75/5	PL-E/Halogen/LED	150x150x90	18
CST 120104	Max 23/75/5	PL-E/Halogen/LED	150x150x90	18
CST 120105	Max 23/75/5	PL-E/Halogen/LED	150x150x90	18
CST 120106	Max 23/75/5	PL-E/Halogen/LED	-	12
CST 120107	Max 23/75/5	PL-E/Halogen/LED	-	12
CST 120108	Max 23/75/5	PL-E/Halogen/LED	-	12